

# GAS SPRING INSTALLATION

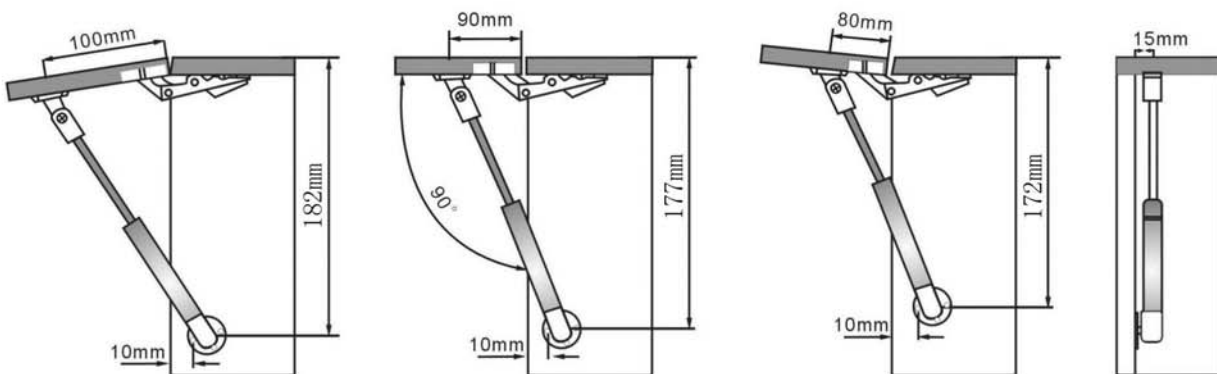
---



## GAS SPRING:

Loading: 60/80/100/120/140N  
( others on request )

Simple installation of GAS SPRING – suitable  
for wood door and aluminium-frame



---

## WARNING!

Please do not use lubricating oil or similar  
It could affect the function of the gas spring  
please screw on the fixing-plates well aligned  
onto the side – panel/door

---